

RIDGID[®]

2015

SPRING PROMOTION

FEBRUARY 1, 2015 THROUGH APRIL 30, 2015

BUY ONE CS6, CS6PAK, CS10 OR CS65 DIGITAL MONITOR AND GET ONE CHARGER AND TWO BATTERIES FREE.

BUY THIS

GET THIS FREE!

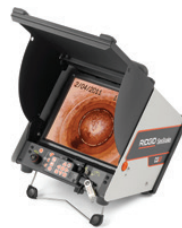
DIAGNOSTICS & INSPECTION



CS6 DIGITAL RECORDING MONITOR
Cat. #45138



CS6PAK DIGITAL RECORDING MONITOR
Cat. #45158



CS10 DIGITAL RECORDING MONITOR
Cat. #39328



CS65 DIGITAL REPORTING MONITOR
Cat. #48123



CHARGER AND 2 BATTERIES
Cat. #44853

PROMOTIONAL PRODUCT VALUE
\$398.55

BUY ONE SR-20, SR-24 OR SR-60 AND ONE TRANSMITTER AND GET ONE REMOTE AND TWO FLOATING TRANSMITTERS FREE.

BUY THIS

GET THIS FREE!

DIAGNOSTICS & INSPECTION



SEEKTECH SR-20 LOCATOR
Cat. #21893

OR



SEEKTECH SR-60 LOCATOR
Cat. #22163

OR



SEEKTECH SR-24 LOCATOR
Cat. #44473

PLUS



ST-305 TRANSMITTER
Cat. #21898

OR



ST-33Q+ LINE TRANSMITTER
Cat. #49338



ST-510 TRANSMITTER
Cat. #21903

GET



FLOATING TRANSMITTERS PACKAGE OF 2
Cat. #19793

AND



REMOTE TRANSMITTER
Cat. #16728

PROMOTIONAL PRODUCT VALUE
\$487.60

We Build Reputations[™]

RIDGID

800.769.7743 | RIDGID.com

BUY ONE MONITOR, ONE CAMERA REEL, ONE DRAIN CLEANER AND TRANSMITTER, GET A SCOUT® FREE.

BUY THIS



CS65 DIGITAL REPORTING MONITOR
Cat. #48123, 48133

OR



CS10 DIGITAL RECORDING MONITOR
Cat. #39328, 39338

PLUS

200' COLOR REEL
Cat. #14053

OR

200' SELF-LEVELING COLOR REEL
Cat. #13988

OR

200' MINI COLOR REEL
Cat. #14063

200' MINI SELF-LEVELING COLOR REEL
Cat. #48488

OR

325' COLOR REEL
Cat. #14058

OR

325' SELF-LEVELING COLOR REEL
Cat. #13998

OR



SEESNAKE® MAX RM200 CAMERA SYSTEM
Cat. #42348, 47528

PLUS

GET

K-400 DRUM MACHINE

Cat. #'s 26993, 24853, 27008, 27003, 26998, 27013



OR



OR

K-6200 DRUM MACHINE

Cat. #95732



OR

K-3800 DRUM MACHINE

Cat. #'s 53112, 53117, 53122, 53127

K-1500B/A SECTIONAL MACHINE

Cat. #'s 23717, 23702, 23712, 23707, 46907, 46902, 91027, 91032



OR

K750 DRUM MACHINE

Cat. #'s 41977, 51402, 42002, 42007, 42012, 47047



NAVITRACK® SCOUT® LOCATOR
Cat. #19238

PROMOTIONAL PRODUCT VALUE
\$1,519.05



PLUS

ST-305 TRANSMITTER

Cat. #21898



OR

ST-510 TRANSMITTER

Cat. #21903



OR



ST-33Q+ LINE TRANSMITTER

Cat. #49338

OR

NAVITRACK® BRICK TRANSMITTER

Cat. #20168



OR

NAVITRACK® LINE TRANSMITTER

Cat. #14818



BUY ONE OF THESE PROFESSIONAL DRAIN CLEANING MACHINES AND GET FOUR CORRESPONDING CABLES FREE.

BUY THIS	GET THESE FREE!
 <p>K-50-4 Cat. #58960 K-50-6 Cat. #58980 K-50-8 Cat. #59000 K-50-9 Cat. #52972 SECTIONAL MACHINE</p>	 <p>C-8 CABLES QTY. 4 Cat. #62270</p> <p>PROMOTIONAL PRODUCT VALUE \$117.60</p>
 <p>K-60SP Cat. #66492 K-60SP-SE Cat. #66497 SECTIONAL MACHINE</p>	 <p>C-10 CABLES QTY. 4 Cat. #62275</p> <p>PROMOTIONAL PRODUCT VALUE \$240.40</p>
 <p>K-1500B Cat. #23717 K-1500A Cat. #23712 K-1500SP Cat. #'s 46907, 46902 SECTIONAL MACHINE</p>	 <p>C-11 CABLES QTY. 4 Cat. #62280</p> <p>PROMOTIONAL PRODUCT VALUE \$393.60</p>
 <p>K-1500B Cat. #23707 K-1500A Cat. #23702 K-1500SP Cat. #'s 91027, 91032 SECTIONAL MACHINE</p>	 <p>C-14 CABLES QTY. 4 Cat. #62295</p> <p>PROMOTIONAL PRODUCT VALUE \$393.60</p>







DRAIN CLEANING

BUY ONE K-45 SINK MACHINE AND GET A K-1 COMBINATION AUGER FREE.

BUY THIS	GET THIS FREE!
 <p>K-45 AF Cat. #35473 K-45 AF-1 Cat. #35998 K-45 AF-5 Cat. #36003 K-45 AF-7 Cat. #36008 SINK MACHINE</p>	 <p>K-1 COMBINATION AUGER Cat. #46683</p> <p>PROMOTIONAL PRODUCT VALUE \$59.95</p>

DRAIN CLEANING

BUY ONE OF THESE PROFESSIONAL DRAIN CLEANING MACHINES AND GET ONE CORRESPONDING CABLE FREE.

BUY THIS	GET THIS FREE!
 <p>K-40AF Cat. #71722 K-40 Cat. #71702 K-40B AF Cat. #78347 SINK MACHINE</p>	 <p>C-61C CABLES QTY. 1 Cat. #96037</p> <p>PROMOTIONAL PRODUCT VALUE \$84.85</p>
 <p>K-6200 DRUM MACHINE Cat. #'s 93557, 95732, 95737</p>	 <p>C-24 CABLE QTY. 1 Cat. #43647</p> <p>PROMOTIONAL PRODUCT VALUE \$329.55</p>
 <p>K-7500 DRUM MACHINE Cat. #'s 59562, 60052, 60062, 61102</p>	 <p>C-100 CABLE QTY. 1 Cat. #41697</p> <p>PROMOTIONAL PRODUCT VALUE \$421.60</p>

DRAIN CLEANING

BUY ONE K-3800 DRUM MACHINE AND GET A TRANSPORT CART OR C-32 CABLE FREE.


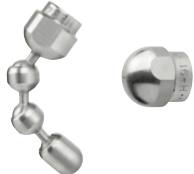


BUY THIS	GET THIS FREE!
 <p>K-3800 DRUM MACHINE Cat. #'s 53107, 53112, 53117, 53122, 53127</p>	<p>TRANSPORT CART Cat. #55017</p> <p>PROMOTIONAL PRODUCT VALUE \$125.40</p> <p>OR</p>  <p>C-32 CABLE QTY. 1 Cat. #37847</p> <p>PROMOTIONAL PRODUCT VALUE \$163.60</p>

DRAIN CLEANING

BUY ONE KJ-3100 WATER JETTER AND GET NOZZLES AND A HOSE FREE.

BUY THIS		GET THIS FREE!	
DRAIN CLEANING			<p>NOZZLES & HOSE (ONE OF EACH) Cat. #38718 - Spinning Nozzle Cat. #38698 - Propulsion Nozzle Cat. #38703 - Drop Head Nozzle Cat. #47602 - 3/16" x 50' Trap Hose Cat. #67187 - Jet Vac</p>
	<p>KJ-3100 WATER JETTER Cat. #37413</p>	<p>PROMOTIONAL PRODUCT VALUE \$801.80</p>	

BUY ONE KJ-1350, KJ-1750 OR KJ-2200 WATER JETTER AND GET NOZZLES AND A HOSE FREE.

BUY THIS		GET THESE FREE!	
DRAIN CLEANING	<p>KJ-1350 WATER JETTER Cat. #62587, 62597, 63107, 63112</p> 		<p>NOZZLES & HOSE (ONE OF EACH) Cat. #38698 (Propulsion Nozzle) 38703 (Drop Head Nozzle) 47602 (3/16" x 50' Trap Hose)</p> <p>PROMOTIONAL PRODUCT VALUE \$331.90</p>
	<p>OR</p>		
	<p>KJ-1750 WATER JETTER Cat. #62687, 62697, 67332</p> 		
<p>OR</p>	<p>KJ-2200 WATER JETTER Cat. #63877, 63882</p> 		

BUY ONE 1/2"-1" MEGAPRESS KIT AND GET A 1/2"-1" END PREP TOOL KIT FREE.

BUY THIS		GET THIS FREE!	
PRESSING			<p>1/2"-1" MEGAPRESS END PREP TOOL Cat. #37993</p> <p>PROMOTIONAL PRODUCT VALUE \$189.00</p>
	<p>1/2"-1" MEGAPRESS KIT Cat. #48558</p>		



BUY ONE 1/2"-2" MEGAPRESS KIT AND GET A 1 1/4"-2" AND 1/2"-1" END PREP TOOL KIT FREE.

BUY THIS		GET THESE FREE!	
PRESSING			<p>1 1/4"-2" MEGAPRESS END PREP TOOL Cat. #37988</p> <p>AND</p> <p>1/2"-1" MEGAPRESS END PREP TOOL Cat. #37933</p> <p>PROMOTIONAL PRODUCT VALUE \$378.00</p>
	<p>1/2"-2" MEGAPRESS KIT Cat. #48553</p>		

BUY ONE 1/2" OR 3/4" CLOSE QUARTERS PEX CRIMP TOOL AND GET A PC1250 SCISSOR-STYLE PLASTIC PIPE AND TUBING CUTTER FREE.

BUY THIS		GET THIS FREE!	
PRESSING			<p>PC1250 SCISSOR-STYLE PLASTIC PIPE AND TUBING CUTTER Cat. #23488</p> <p>PROMOTIONAL PRODUCT VALUE \$17.90</p>
	<p>1/2" CLOSE QUARTERS MANUAL PEX CRIMP TOOLS Cat. #43853</p> <p>OR</p> <p>3/4" CLOSE QUARTERS MANUAL PEX CRIMP TOOLS Cat. #43858</p>		

**BUY ONE 258 POWER PIPE CUTTER
AND GET A TRANSPORT CART FREE.**

PIPE/TUBE CUTTING & PREPARATION	
BUY THIS	GET THIS FREE!
 <p>MODEL 258 POWER PIPE CUTTER Cat. #50767</p> <p>MODEL 258-XL POWER PIPE CUTTER Cat. #58227</p>	 <p>TRANSPORT CART Cat. #54397</p> <p>PROMOTIONAL PRODUCT VALUE \$369.55</p>

BUY ONE 460-6 OR ONE 460-12 PORTABLE TRISTAND® AND GET AN 18" ALUMINUM WRENCH FREE.

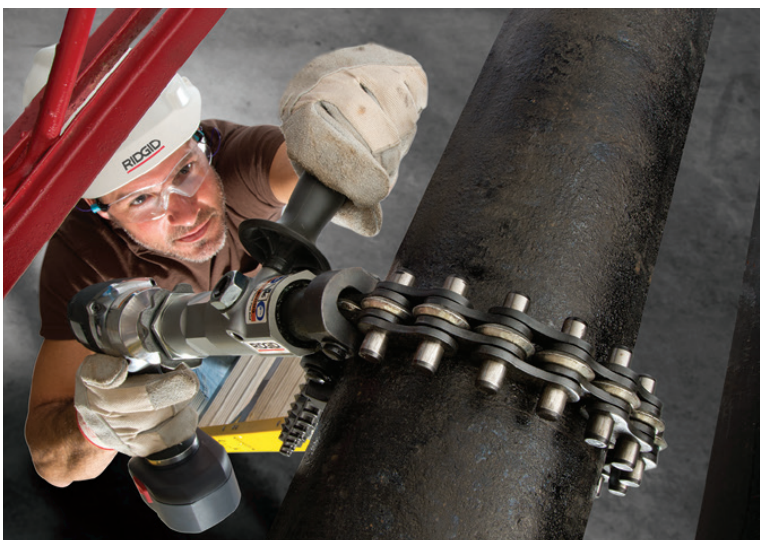
PIPE VISES & SUPPORTS	
BUY THIS	GET THIS FREE!
 <p>460-6 Cat. #36273</p> <p>460-12 Cat. #36278</p>	 <p>18" ALUMINUM WRENCH Cat. #31100</p> <p>PROMOTIONAL PRODUCT VALUE \$62.45</p>

BUY ONE 238-P POWERED SOIL PIPE CUTTER AND GET A STEEL TOOL BOX FREE.

PIPE/TUBE CUTTING & PREPARATION	
BUY THIS	GET THIS FREE!
 <p>238-P POWERED SOIL PIPE CUTTER Cat. #42878</p>	 <p>STEEL TOOL BOX Cat. #33085</p> <p>PROMOTIONAL PRODUCT VALUE \$82.45</p>

BUY SIX RS33 XD PRO SUBMERSIBLE SUMP PUMPS, GET ONE FREE.

SUBMERSIBLE PUMPS	
BUY THIS	GET THIS FREE!
 <p>RS33 SUMP PUMP QTY. 6 Cat. #47348</p>	 <p>RS33 SUMP PUMP Cat. #47348</p> <p>PROMOTIONAL PRODUCT VALUE \$199.45</p>



RIDGID

2015

**SPRING
PROMOTION**

FEBRUARY 1, 2015 THROUGH APRIL 30, 2015

TAKE ADVANTAGE OF THESE EXCITING PROMOTIONS TODAY!

It's easy. Just order the listed products from your distributor and follow the three simple steps below.

- 1.** Purchase the listed RIDGID products from your distributor. Offer good for purchases made between February 1, 2015 and April 30, 2015. All valid redemption forms must be sent to RIDGID by May 31, 2015. Redemption forms received after May 31, 2015 will not be valid. Valid only in U.S. and Canada.
- 2.** Complete the form below and return it with a copy of your invoice via email, mail or fax.
- 3.** Allow 4 to 6 weeks for delivery of your FREE product from RIDGID.

Name _____
First Middle Initial Last

Title _____

Company Name _____

Shipping Address _____
Street Address

City, State, Postal Code, Country

Phone () _____ E-Mail _____

Note: End-user promotion. Customers may elect to opt out of the designated "get this free" product in exchange for a store credit equal to the "Promotional Product Value" at participating distributors. Credit must be applied to the purchase of additional RIDGID product. In exchange, participating distributors will earn a credit from Ridge Tool in the amount of their net price. All Canadian promotional orders will be shipped to the participating distributor location once a month beginning in February 2015. Spring Promotion offers cannot be combined with any other RIDGID promotion. Limit: One redemption per qualifying purchase.

Mail To: RIDGID 2014 Spring Promotion
400 Clark Street • Elyria, Ohio 44035

Email: RTCCustomerService@emerson.com
Fax: 800.873.2160

©2015 RIDGID, Inc. 999.997.522.10

We Build Reputations™ | **RIDGID**

800.769.7743 | RIDGID.com